

2022

ONTARIO

Price List

EFFECTIVE July 18, 2022



Table of Contents

Terms and Conditions of Sales	4-5
Circular Pipe: Approximate Mass and Dimensions	6
Circular Pipe: Prices	7
Tees and Wyes	8
Metre Tees	9
Bends	10
Plugs and Caps	11
Elliptical Pipe	12
Microtunneling	13
Box Culvert Units	14
Maximum Pipe Sizes for Maintenance Holes	15
Maintenance Hole Estimating Tables	16-17
Maintenance Holes and Utility Chambers (Circular) 1200mm and 1500mm	18
Maintenance Holes and Utility Chambers (Circular) 1800mm to 3600mm	19
Flexible Pipe-to-Maintenance Hole Connectors	20
Catch Basins / Ditch Inlets	20
Grade Adjustment Units	21
Miscellaneous Accessories	21
Rectangular Maintenance Holes and Utility Chambers	22-27
Drop Structures	28
Endwalls	29
Quick Headwalls	29
Stormceptor® Stormwater Quality & Management Solutions	30
Xstream	31
QuickSpan®	32
Ottawa Specific Products	33-34

Terms and Conditions of Sale

- 1) Quotations are open for acceptance for 30 days from the date thereof.
- 2) Acceptance of any quotation shall not obligate the Seller until the Purchaser's credit is approved by our Credit Department.
- 3) Payment terms: Net 30 days. A discount of 3% for concrete products will be allowed if payment is received by the 25th of the month following delivery, provided there are no overdue invoices outstanding. Service charge of 2% per month (24% per year) on overdue accounts. Note: HST is not subject to discount.
- 4) All prices are subject to any increase in taxes or freight or to the imposition of new taxes in which case the amount of the increase will be added.
- 5) The prices contained in this Price List are based on the use of Normal Portland Cement, with rubber gaskets complying with CSA A257.3. A premium will be added for any other type of Cement or Gasket.
- 6) Prices include delivery in truckload quantities, FOB trucks at jobsite, within Ontario, within 250 kilometres of the Regional Municipality of Waterloo, Regional Municipality of Durham, Metropolitan Toronto, City of Windsor or City of Ottawa. For delivery outside these areas please contact our office for prices. Less than truckload quantities (tractor trailer) is priced FOB plant with delivery charges extra.
- 7) Delivery to the jobsite by the seller shall be construed to mean motor truck delivery, as close to jobsite designated storage area, or to line of trench as is practicable for loaded motor trucks and trailers operating under their own power, without risk of accident, injury or undue delay. The Purchaser shall provide and maintain suitable access including access roads to project site for delivery of goods. Delivery beyond a point accessible to loaded trucks shall be at the risk of the Purchaser.
- 8) The Seller reserves the right to make an extra charge for unreasonable delay in unloading or releasing its vehicles.
- 9) The Seller reserves the right to make an extra charge for deliveries of less than truckload quantities other than the final load to finish a specific project.
- 10) Prices are based on deliveries made during normal working hours.
- 11) The Seller requires no less than 24 hours notice of the Purchaser's requirements for standard or pre-ordered material, to ensure adequate service and to enable the Seller to schedule trucks and deliveries.
- 12) The Seller shall not be liable for delay or non-delivery caused by the failure of the transportation facilities, strikes, fire, war, flood, accident or any other cause beyond its control.
- 13) Quotations are made on the condition that full delivery will be taken within six months from acceptance of order. Any goods delivered after this period will be subject to any increase in prices shown in our regularly published price lists, in effect at the the time of each delivery.

- 14) The Purchaser will inspect the concrete products and other goods purchased at the time of delivery and any claims in respect thereto must be made at that time. If any such concrete products or other goods are found to be defective, the Seller will deliver new goods to the Purchaser at the site of the work in lieu thereof, but it is a condition of sale that this will be the limit of the Seller's liability and will not be liable for any labour cost or other consequential damages.
- 15) Material returned for credit will be subject to freight charges and the acceptance of the Seller. Special precast concrete products ordered by customer are not subject to cancellation. Any non standard products not taken will be charged to the customer. No credit will be issued when the section is resold. There will be a 25% handling charge for any standard stock products returned.
- 16) The Purchaser is reminded to verify all quantities, calculations, specifications, etc., and the Seller assumes no liability in this regard.
- 17) No warranties, representations, conditions or agreements exist which are not set out in this price list.
- 18) Waiver of any one or more of the terms and conditions herein by the Seller shall not constitute a general waiver of terms and conditions and the Seller reserves the right to enforce any and all conditions not so waived. Any such waiver must be in writing.
- 19) The drawings and specifications of any seller proposal or any quotation are confidential engineering data, and represents Sellers investment in engineering skills and development and remain the property of the Seller.

Circular Pipe

Approximate Mass and Dimensions

Nominal Dia. (mm)	Wall Thickness (mm)	Actual OD (mm)	Length per Piece (m)	Approximate Mass	
				(kg/metre)	(kg/piece)
300	70	445	2.29	219	502
375	76	533	2.29	296	678
450	83	622	2.29	385	882
525	89	711	2.29	461	1,055
600	95	800	2.29	549	1,258
675	102	890	2.29	678	1,553
750	108	978	2.29	757	1,734
825 Cambridge	114	1,066	2.29	858	1,965
825 Ottawa	114	1,066	2.44	858	2,094
900	121	1,156	2.29	1,001	2,292
975 Cambridge	127	1,245	2.29	1,144	2,620
975 Ottawa	127	1,245	2.44	1,144	2,791
1050	133	1,333	2.44	1,283	3,131
1200 Cambridge	146	1,511	2.44	1,581	3,858
1200 Ottawa	127	1,473	2.44	1,340	3,270
1350	159	1,690	2.44	1,933	4,717
1500	152	1,828	2.44	1,927	4,702
1650	165	2,006	2.44	2,449	5,976
1800	178	2,185	2.44	2,695	6,576
1950	191	2,363	2.44	3,125	7,625
2100	203	2,540	2.44	3,585	8,747
2250	216	2,718	2.44	4,326	10,555
2400	229	2,896	2.44	4,598	11,219
2550	241	3,073	2.44	5,179	12,637
2700	254	3,251	2.44	5,752	14,035
3000	279	3,606	2.44	7,541	18,400

Circular Pipe

Price per Metre (Includes Rubber Gasket)

Size (mm)	Reinforced - CSA A257.2			
	50-D	65-D	100-D	140-D
300	\$125.60	\$125.60	\$125.60	\$125.60
375	154.90	154.90	154.90	154.90
450	159.60	159.60	159.60	199.60
525	174.00	174.00	203.40	240.00
600	234.30	234.30	269.40	316.70
675	359.20	359.20	409.10	479.00
750	473.40	473.40	541.10	632.40
825	549.10	549.10	698.30	734.00
900	658.80	658.80	753.60	879.90
975	722.80	760.90	865.80	1,013.40
1050	827.80	869.30	995.30	1,159.50
1200	1,037.50	1,089.80	1,247.00	1,452.70
1350	1,334.20	1,400.80	1,602.40	1,866.20
1500	1,632.00	1,712.70	1,958.10	2,284.20
1650	1,954.10	2,053.40	2,346.90	2,736.10
1800	2,361.50	2,482.70	2,834.30	3,307.40
1950	2,738.30	2,878.70	3,285.60	3,835.30
2100	3,142.40	3,296.50	3,769.80	4,396.80
2250	3,571.10	3,751.40	4,286.30	5,001.10
2400	4,180.10	4,385.20	5,012.50	5,848.30
2550	4,707.90	4,939.00	5,646.70	6,588.80
2700	5,224.80	5,485.50	6,269.70	7,315.20
3000	6,398.20	6,721.30	7,681.60	8,961.30

NOTES:

- 1) **Special Design Pipe (>140D)** - contact our engineering department.
- 2) **Jacking Pipe** (1200mm and larger only) - add 10% to the above price per metre.
Contact our engineering department for smaller tunneling pipe.
- 3) **Scribed Holes and Knockouts** - \$154.00 each, for mainline up to 1350mm
- \$307.50 each, for mainline 1500mm and larger.
- 4) **Reducers and Increases** - Price per metre of the larger pipe x 6.5, for sizes 300mm and larger.
(Price per piece)

Tees and Wyes

Price per Piece (Includes Rubber Gasket)

Add the following branch prices to the cost of one length of the main pipe.

Branch Size (mm)	Main Pipe Size (mm)					
	300 - 525	600 - 825	900 - 1200	1350 - 1800	1950 - 2400	2550 - 3000 and Boxes
100	\$203.90	\$214.40	\$273.40	\$370.80	\$444.10	\$514.20
125	224.00	234.70	300.20	406.30	487.50	563.60
150	246.80	259.60	330.50	448.40	537.10	622.00
200	329.30	345.80	441.20	597.90	717.00	829.10
250	368.80	386.80	493.50	669.40	802.70	928.50
300	502.00	710.90	922.40	1,307.00	1,691.60	2,306.00
375	607.10	813.00	1,094.70	1,533.70	2,018.00	2,482.60
450	742.40	919.00	1,204.10	1,642.80	2,127.30	2,591.30
525	801.80	947.80	1,234.00	1,672.70	2,157.00	2,621.20
600		1,185.80	1,478.40	1,917.70	2,401.20	2,866.00
675		1,687.90	1,914.70	2,354.20	2,838.30	3,302.70
750		2,180.00	2,377.00	2,815.80	3,300.00	3,763.90
825		2,493.70	2,660.00	3,099.60	3,584.00	4,048.00
900			3,093.60	3,532.90	4,016.70	4,480.60
975			3,522.20	3,925.50	4,410.10	4,874.20
1050			4,000.50	4,363.60	4,847.20	5,311.50
1200			4,936.60	5,239.10	5,723.60	6,187.60
1350				6,533.00	6,979.80	7,528.90
1500				7,889.50	8,334.40	8,821.80
1650				9,358.50	9,739.70	10,226.70
1800				11,238.30	11,556.20	12,043.50

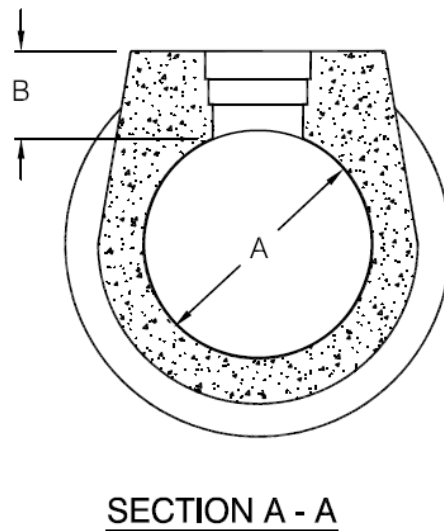
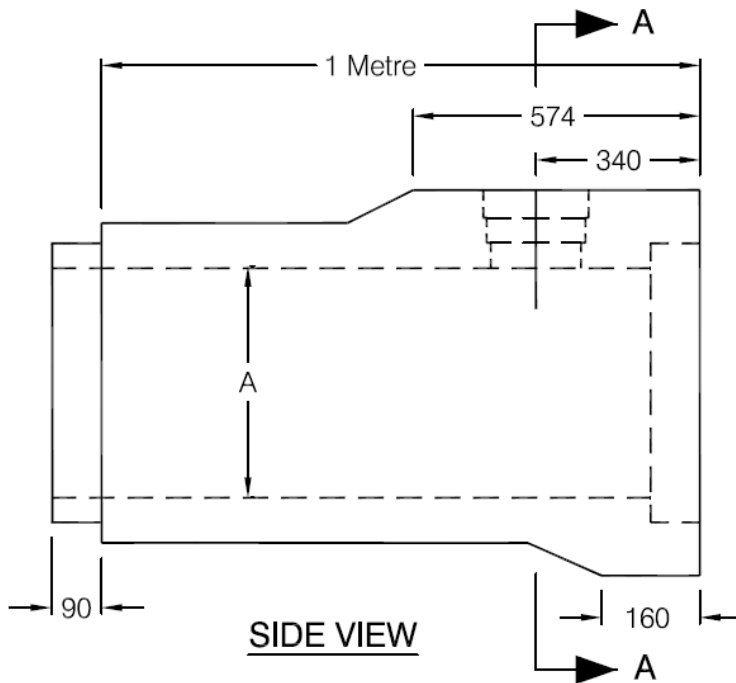
NOTES:

- 1) Branches 300mm and smaller are available for concrete or smooth wall PVC pipe.
Branches 375mm and larger are available for concrete pipe only.
- 2) **Maintenance Hole Tees** - prices are calculated in the same fashion as pipe tees.

Metre Tees

Price per Piece (Includes Rubber Gasket)

Branch Size (mm)	Main Pipe Size (mm)		
	300	375	450
125	\$349.60	\$379.10	\$423.50
150	372.40	401.80	446.40
200	454.50	483.60	528.70
250	494.40	524.10	568.50
300	627.30	656.80	701.50



Diameter of Main A	Branch Depth B	Approx. Mass Kg
300	125	249
375	125	277
450	125	365

Bends

Price per Piece (Includes Rubber Gasket)

Size (mm)	Reinforced CSA A257.2				Max. Angle (degrees)
	50-D	65-D	100-D	140-D	
300	\$676.50	\$676.50	\$676.50	\$676.50	90
375	837.90	837.90	837.90	837.90	90
450	863.20	863.20	863.20	1,078.50	90
525	940.30	940.30	1,099.30	1,294.70	90
600	1,195.00	1,195.00	1,372.40	1,614.70	90
675	1,796.30	1,796.30	2,045.40	2,394.90	90
750	2,367.80	2,367.80	2,707.10	3,162.60	90
825	2,745.40	2,745.40	3,491.40	3,669.80	90
900	3,291.40	3,291.40	3,765.80	4,395.50	90
975	3,614.10	3,806.10	4,329.90	5,064.10	90
1050	4,138.30	4,347.00	4,976.10	5,797.40	90
1200	5,185.40	5,448.30	6,233.70	7,263.70	90
1350	6,673.10	7,003.40	8,012.20	9,331.60	90
1500	8,158.00	8,561.20	9,789.90	11,421.50	84
1650	9,771.90	10,266.40	11,732.80	13,676.00	78
1800	11,806.10	12,411.50	14,172.30	16,536.20	74
1950	13,693.80	14,391.10	16,426.30	19,176.20	71
2100	15,711.50	16,481.40	18,847.60	21,981.20	67
2250	17,856.90	18,754.50	21,430.50	25,006.00	63
2400	20,899.50	21,926.40	25,060.70	29,241.10	60
2550	23,538.90	24,694.20	28,232.50	32,944.30	57
2700	26,124.50	27,426.50	31,349.70	36,573.90	54
3000	31,990.60	33,604.40	38,407.80	44,805.20	50

Plugs and Caps

Price per Piece and Approximate Mass

Size mm	Price (\$)	Approximate Mass (kg/pc)	
		Plugs	Caps
300	\$125.60	25	98
375	154.90	38	141
450	199.60	51	186
525	240.00	67	234
600	316.70	83	259
675	479.00	102	285
750	632.40	126	378
825	734.00	149	372
900	879.90	174	414
975	1,013.40	558	558
1050	1,159.50	898	898
1200	1,452.70	1,168	1,168
1350	1,866.20	1,454	1,454
1500	2,284.20	1,788	1,788
1650	2,736.10	2,156	2,156
1800	3,307.40	2,554	2,554
1950	3,835.30	2,994	2,994
2100	4,396.80	3,467	3,467
2250	5,001.10	3,973	3,973
2400	5,848.30	4,507	4,507
2550	6,588.80	5,088	5,088
2700	7,315.20	5,698	5,698
3000	8,961.30	6,971	6,971

Elliptical Pipe

Price per Metre

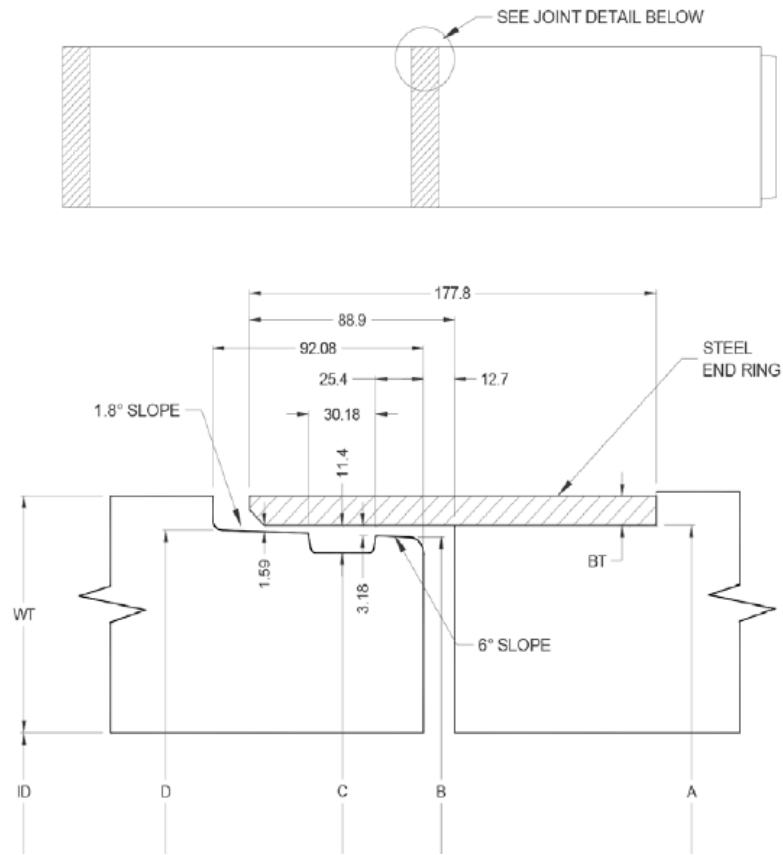
Size Rise x Span (mm)	Equivalent				Approx. Mass (kg/m)	
	Diameter (mm)	HE I	HE II	HE III		HE IV
730 x 1150	900	\$954.70	\$1,008.00	\$1,119.30	\$1,284.00	931
855 x 1345	1050	1,168.70	1,222.50	1,378.50	1,580.10	1,214
975 x 1535	1200	1,436.20	1,501.60	1,687.10	1,946.10	1,490
1090 x 1730	1350	1,802.40	1,897.50	2,127.90	2,448.80	1,840
1220 x 1920	1500	2,148.60	2,259.70	2,543.40	2,921.50	2,198
1340 x 2110	1650	2,547.60	2,679.20	3,004.10	3,461.00	2,600
1465 x 2305	1800	3,066.00	3,214.30	3,608.90	4,156.70	3,040
1585 x 2495	1950	3,522.70	3,708.30	4,156.70	4,789.70	3,502
1705 x 2690	2100	4,016.70	4,226.60	4,740.80	5,460.70	3,993

NOTES:

- 1) Above prices includes jointing material
- 2) **Unit Length** for all above sizes is 2.44m.
- 3) **Bends** - multiply the price per metre of the pipe by 5.0.
- 4) **Reducers and Increases** - multiply the price per metre of the larger pipe by 6.0.
- 5) **Plugs and Caps** - multiply the price per metre of the HE IV pipe by 1.0.
- 6) **Maintenance Hole Tees** - multiply the price per metre of the pipe by 2.44 and add \$5,908.80 for the 1200mm diameter riser stub.
- 7) **Tees and Wyes** - multiply the price per metre of the pipe by 2.44 and add the branch price from page 8. (For elliptical branches, use the equivalent diameter).

Microtunneling

nominal diameter ID	actual diameter ID	wt	bt	A	B	C	D
600	609.60	95.25	9.50	781.05	769.37	758.24	779.27
750	762.00	107.95	9.50	952.50	940.82	929.69	950.75
900	914.00	120.65	9.50	1132.84	1121.15	1110.03	1131.09
1050	1066.80	133.35	9.50	1300.78	1286.89	1275.77	1296.82
1200	1219.00	146.05	9.50	1479.30	1467.61	1456.49	1477.54



NOTES:

1. Contact our engineering department for any sizes not shown.
2. All dimensions are in millimeters.
3. Grout ports and one way valves are available as required.
4. Steel end rings are zinc metallized, hot dip galvanized or epoxy coated.
5. Intermediate jacking stations are available when required.
6. Manufactured in accordance with CSA A257.2.
7. Standard lengths are 2.438m.

Diameter	Price (\$) per Metre
600	\$661.30
750	1,024.50
900	1,424.80
1050	1,817.00
1200	2,276.90

Box Culvert Units - CHBDC Truck - OPSS 1821

Price per Metre (Non-gasketed Joint)

	Price (\$) (per m)	Wall Thickness (mm)	Design Earth Cover (m)	No. of Anchors	Swift Lift	Approximate Mass (kg/m)
1800 x 900	\$2,699.50	200	0.6 to 5.5	4	4 Tonne	3,329
1800 x 1200	2,946.90	200	0.6 to 5.5	4	4 Tonne	3,631
2400 x 1200	3,759.90	200	0.6 to 3.6	4	4 Tonne	4,237
2400 x 1500	4,028.20	200	0.6 to 3.6	4	4 Tonne	4,530
2438 x 1829	4,297.20	203	0.6 to 3.6	4	4 Tonne	4,924
3000 x 1500	5,882.90	250	0.6 to 3.6	4	8 Tonne	6,662
3000 x 1800	6,219.90	250	0.6 to 3.6	4	8 Tonne	6,997
3000 x 2100	6,554.30	250	0.6 to 3.6	4	8 Tonne	7,376
3048 x 2438	6,887.80	254	0.6 to 3.6	4	8 Tonne	7,893

Box Culvert Units - CHBDC Truck- Not in OPSS 1821

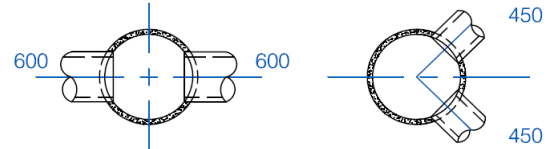
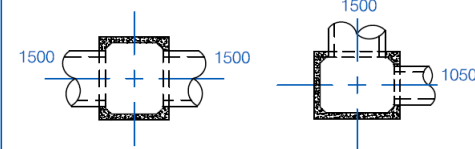
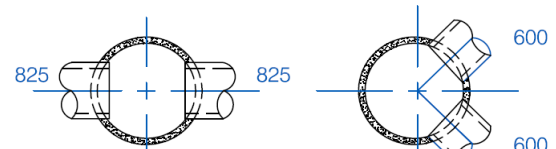
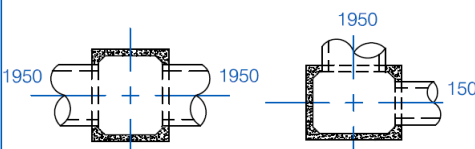
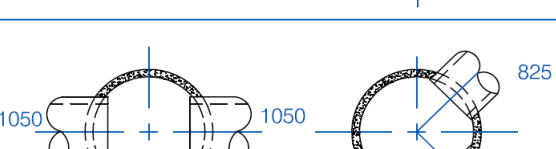
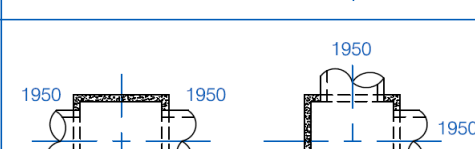

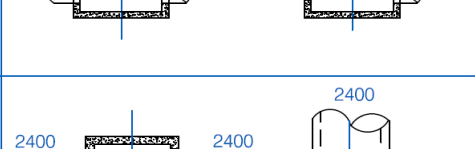
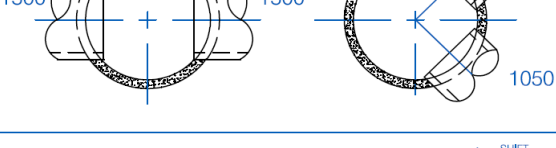
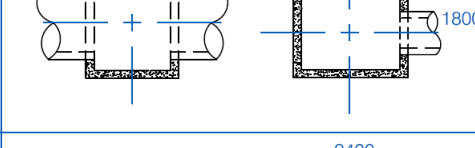
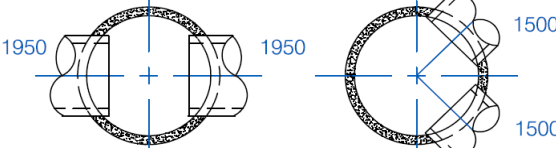
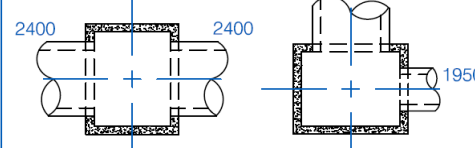
Price per Metre (Non-gasketed Joint)

	Price (\$) (per m)	Wall Thickness (mm)	Design Earth Cover (m)	No. of Anchors	Swift Lift	Approximate Mass (kg/m)
1800 x 900	\$3,397.30	200	0.0 to 0.6 & 5.5 to 8.0	4	4 Tonne	3,329
1800 x 1200	3,695.90	200	0.0 to 0.6 & 5.5 to 8.0	4	4 Tonne	3,631
2400 x 1200	4,726.40	200	0.0 to 0.6 & 3.6 to 6.0	4	4 Tonne	4,237
2400 x 1500	5,103.50	200	0.0 to 0.6 & 3.6 to 5.0	4	4 Tonne	4,530
2438 x 1829	5,377.90	203	0.0 to 0.6 & 3.6 to 5.0	4	4 Tonne	4,924
3000 x 1500	7,234.90	250	0.0 to 0.6 & 3.6 to 5.0	4	8 Tonne	6,662
3000 x 1800	7,537.90	250	0.0 to 0.6 & 3.6 to 5.0	4	8 Tonne	6,997
3000 x 2100	7,931.10	250	0.0 to 0.6 & 3.6 to 5.0	4	8 Tonne	7,376
3048 x 2438	8,327.70	254	0.0 to 0.6 & 3.6 to 5.0	4	8 Tonne	7,893

NOTES :

- 1) **Butyl Material** - Add 5% to above price per metre
- 2) **Unit Length** for all above sizes is 2.50m.
- 3) For **Design Cover** more than shown above, contact our engineering department.
- 4) **Radius Box Units** - add 15% to the price of straight box units.
- 5) **Bends** - multiply the price per metre by 5.0.
- 6) **Bulkheads, Plugs and Caps** - multiply the price per metre of the box unit by 1.0.
- 7) **Bevelled or Sloped End Box Units** - add 20% to the price of straight box units.
- 8) **Flush End Box Units** - add \$1,054.70 to the price of the box unit.
- 9) **Tees and Wyes:**
 - Box Branch - multiply the price per metre of the main box unit by 6.0.
 - Pipe Branch - multiply the price per metre of the main box unit by 2.5 and add the branch price from page 8. (For elliptical branches, use the equivalent diameter).
- 10) **Reducers and Increasers** - multiply the price per metre of the larger box unit by 6.0.
- 11) Formed opening for **1200mm Maintenance Hole Riser** - add \$1,757.80 to the price of the box unit.
- 12) **Scribed Holes** - add \$307.50 each.
- 13) Standard 15M **Dowels and Inserts** - \$122.20 per set.

Maximum Pipe Sizes for Maintenance Holes

MH SIZE (mm)	Max. Pipe Size for Straight Through and Right Angles	MH SIZE (mm)	Max. Pipe Size for Straight Through and Right Angles
1200		2400 x 1800	
1500		3000 x 2400	
1800		3000 x 3000	
2400		3800 x 2400	
3000		3800 x 3000	
3600		3800 x 3800	

3600mm NOTES:

- Max height riser is 1.829m.
- 2400MM inlet and outlet pipes can have a maximum invert difference of 75mm.
- The manhole will be built with a 450 sump for strength.

General NOTES:

- All dimensions are for concrete pipe.
- Knockouts for small diameter catchbasin leads (250 & 300) could be provided in addition to what is shown.
- For additional maintenance hole configurations/combinations, please contact our engineering department.

Maintenance Hole Estimating Tables

1200mm		
Depth (metres)		Precast
From	To	Total
0.86	1.00	\$2,226
1.01	1.15	2,386
1.16	1.30	2,547
1.31	1.46	2,706
1.47	1.61	2,867
1.62	1.76	3,026
1.77	1.91	3,187
1.92	2.07	3,343
2.08	2.22	3,503
2.23	2.32	3,664
2.33	2.47	3,324
2.48	2.62	3,483
2.63	2.78	3,643
2.79	2.93	3,801
2.94	3.08	3,960
3.09	3.23	4,121
3.24	3.39	4,280
3.40	3.54	4,439
3.55	3.69	4,599
3.70	3.84	4,759
3.85	4.00	4,918
4.01	4.15	5,078
4.16	4.30	5,237
4.31	4.45	5,396
4.46	4.61	5,554
4.62	4.76	5,718
4.77	4.91	5,875
4.92	5.06	7,997
5.07	5.22	8,153
5.23	5.37	8,314
5.38	5.52	8,474
5.53	5.67	8,633
5.68	5.82	8,794
5.83	5.98	8,954
5.99	6.13	9,109
6.14	6.28	9,270
6.29	6.44	9,430

Based on 150mm sump

1500mm		
Depth (metres)		Precast
From	To	Total
1.25	1.54	\$4,946
1.55	1.69	5,429
1.70	1.85	5,677
1.85	1.99	5,916
2.00	2.14	6,160
2.15	2.30	6,398
2.31	2.45	6,642
2.46	2.65	6,882
2.66	2.80	7,242
2.81	2.96	7,483
2.97	3.11	7,561
3.12	3.26	7,802
3.27	3.41	7,880
3.42	3.57	8,121
3.58	3.67	8,198
3.68	3.82	7,858
3.83	3.97	8,102
3.98	4.12	8,178
4.13	4.28	8,421
4.29	4.43	8,496
4.44	4.58	8,740
4.59	4.73	8,814
4.74	4.89	9,057
4.90	5.04	9,134
5.05	5.19	11,309
5.20	5.34	11,385
5.35	5.50	11,627
5.51	5.65	11,705
5.66	5.80	11,947
5.81	5.95	12,023
5.96	6.11	12,267
6.12	6.25	12,341
6.26	6.41	12,585
6.42	6.56	12,662
6.57	6.72	12,903
6.73	6.87	12,979
6.88	7.03	13,223

Based on 200mm sump

1800mm		
Depth (metres)		Precast
From	To	Total
1.82	1.97	\$7,830
1.98	2.12	8,518
2.13	2.27	8,518
2.28	2.42	9,205
2.43	2.58	9,205
2.59	2.63	9,548
2.64	2.78	9,537
2.79	2.93	9,882
2.94	3.08	9,882
3.09	3.24	10,199
3.25	3.39	10,175
3.40	3.54	10,520
3.55	3.64	10,493
3.65	3.79	10,158
3.80	3.95	10,496
3.96	4.10	10,474
4.11	4.25	10,818
4.26	4.40	10,796
4.41	4.56	11,136
4.57	4.71	11,111
4.72	4.86	11,454
4.87	5.01	11,431
5.02	5.17	13,505
5.18	5.32	13,505
5.33	5.47	13,826
5.48	5.63	13,826
5.64	5.78	14,146
5.79	5.93	14,146
5.94	6.08	14,462
6.09	6.24	14,462
6.25	6.39	14,782
6.40	6.54	14,782
6.55	6.69	15,102
6.70	6.85	15,102
6.86	7.00	15,420
7.01	7.15	15,420
7.16	7.30	15,740

Based on 250mm sump

See page 17 for important notes pertaining to the above tables.

Maintenance Hole Estimating Tables

Transition MHs - See note*

2400mm		
Depth (metres)		Precast
From	To	Total
1.46	1.75	\$13,607
1.76	2.06	14,831
2.07	2.36	16,060
2.37	2.67	17,285
2.68	2.87	18,506
2.88	3.18	19,637
3.19	3.48	19,637
3.49	3.79	19,958
3.80	4.09	20,275
4.10	4.20	20,593
4.21	4.50	20,257
4.51	4.80	20,574
4.81	5.11	22,855
5.12	5.41	23,170
5.42	5.72	23,491
5.73	6.02	23,809
6.03	6.33	24,127
6.34	6.63	24,447
6.64	6.93	24,765
6.94	7.24	25,085
7.25	7.54	25,406
7.55	7.84	25,724

Based on 300mm sump

Non-transition MHs

With flat caps of same diameter as bottom chamber

1200mm	\$ 1,046.00 per metre of depth + \$ 1,635.60
1500mm	\$ 1,585.30 per metre of depth + \$ 3,258.80
1800mm	\$ 2,216.20 per metre of depth + \$ 4,394.90
2400mm	\$ 4,018.80 per metre of depth + \$ 8,708.60

All based on 300mm sump

*Note regarding transitions:

The table on page 15, and those on page 16, are based on transition to 1200mm diameter at 1.8m headroom for 1500mm and 1800mm MHs and at 2.4m headroom for 2400mm MHs. Please verify that all pipes will fit, and that there are no requirements for special flat caps before using these tables.

For non-transition MHs, use the formulas above.

NOTES:

1. Depth = Finished grade to lowest invert, in metres.
2. Prices are calculated based on the most common applications and will vary, depending on pipe size, material, elevation, specified sumps or headroom, height or weight restrictions, and other factors that may affect the choice of components.
3. Prices include standard precast concrete components, c/w steps, gaskets and pipe openings. The following are NOT INCLUDED: castings, grade adjustment units, Kor-N-Seal, pre-benching, precast drop structures, safety grates, or any other accessories and special treatments. TAXES, when applicable, are EXTRA.
4. Safety landing included at 5m and greater depths.
5. Prices are subject to change without notice. TERMS AND CONDITIONS OF SALE as per inside cover.

Circular Maintenance Holes and Utility Chambers

Prices Include Rubber Gaskets

1200 mm	Height (m)	No. of Anchors	Swift Lift	Approx. Mass (kg)	Price (\$)
Tapered Top	1.320	2	4 Tonne	1,900 / pc	\$1,435.30 / pc
Flat Cap	0.305	2	4 Tonne	720 / pc	817.80 / pc
Riser Section	0.305 - 1.829	2	4 Tonne	1,340 / m	1046.00 / m
Base Slab	0.203	1	4 Tonne	770 / pc	817.80 / pc
Monolithic Bases	0.457	2	4 Tonne	1,375 / pc	1,410.30 / pc
	0.610	2	4 Tonne	1,576 / pc	1,569.20 / pc
	0.762	2	4 Tonne	1,779 / pc	1,728.10 / pc
	0.914	2	4 Tonne	1,900 / pc	1,887.10 / pc
	1.219	2	4 Tonne	2,304 / pc	2,205.20 / pc
	1.372	2	4 Tonne	2,587 / pc	2,364.10 / pc
Safety Gate					1,959.80 / pc
Pre-Benching				630 / pc	942.80 / pc

1500 mm	Height (m)	No. of Anchors	Swift Lift	Approx. Mass (kg)	Price (\$)
Flat Cap	0.430	3	4 Tonne	1,810 / pc	\$1,629.50 / pc
Riser Section	0.305 - 1.829	2	4 Tonne	1,927 / m	1,585.30 / m
Tapered Transition Section	0.610	2	4 Tonne	1,560 / pc	1,629.50 / pc
Transition Slab	0.430	2	4 Tonne	1,090 / pc	1,629.50 / pc
Base Slab	0.305	1	4 Tonne	1,770 / pc	1,629.50 / pc
Monolithic Bases	1.219	2	4 Tonne	3,707 / pc	4,043.90 / pc
	1.372	2	4 Tonne	4,149 / pc	4,284.60 / pc
	1.524	2	4 Tonne	4,451 / pc	4,525.90 / pc
	1.676	2	4 Tonne	4,753 / pc	4,766.60 / pc
Safety Gate					2,759.50 / pc
Pre-Benching				1,200 / pc	1,268.90 / pc

NOTES:

- Above prices are for maintenance holes manufactured to Ontario Provincial Standards.
Contact our engineering department for the price of special designs.

Circular Maintenance Holes and Utility Chambers

Prices Include Rubber Gaskets

1800 mm	Height (m)	No. of Anchors	Swift Lift	Approx. Mass (kg)	Price (\$)
Flat Cap	0.430	3	4 Tonne	2,720 / pc	\$2,197.40 / pc
Riser Section	0.610 - 2.438	2	4 Tonne	2,695 / m	2,254.30 / m
Tapered Transition Section	0.610	2	4 Tonne	2,720 / pc	2,197.40 / pc
Transition Slab	0.430	2	4 Tonne	2,000 / pc	2,197.40 / pc
Base Slab	0.305	1	4 Tonne	2,630 / pc	2,197.40 / pc
Safety Gate					3,580.60 / pc

2400 mm	Height (m)	No. of Anchors	Swift Lift	Approx. Mass (kg)	Price (\$)
Flat Cap	0.430	4	4 Tonne	4,980 / pc	\$4,354.40 / pc
Riser Section	0.610 - 2.438	4	4 Tonne	4,598 / m	4,018.80 / m
Transition Slab	0.430	4	4 Tonne	4,210 / pc	4,354.40 / pc
Base Slab	0.305	4	4 Tonne	4,620 / pc	4,354.40 / pc
Safety Gate					5,599.30 / pc

3000 mm	Height (m)	No. of Anchors	Swift Lift	Approx. Mass (kg)	Price (\$)
Flat Cap	0.450	4	8 Tonne	8,142 / pc	\$7,333.10 / pc
Riser Section	0.610 - 2.438	4	8 Tonne	7,043 / m	6,287.20 / m
Transition Slab	0.450	4	8 Tonne	7,258 / pc	7,333.10 / pc
Base Slab	0.305	4	8 Tonne	8,255 / pc	7,333.10 / pc
Safety Gate					on request

3600 mm	Height (m)	No. of Anchors	Swift Lift	Approx. Mass (kg)	Price (\$)
Flat Cap	0.450	4	8 Tonne	10,500 / pc	12,949.40 / pc
Riser Section	0.610 - 1.829	4	8 Tonne	11,042 / m	13,701.80 / m
Transition Slab	0.450	4	8 Tonne	10,500 / pc	12,949.40 / pc
Base Slab	0.305	4	8 Tonne	10,500 / pc	12,949.40 / pc
Safety Gate					on request

NOTES:

- Above prices are for maintenance holes manufactured to Ontario Provincial Standards.
Contact our engineering department for the price of special designs.

Flexible Pipe-to-Maintenance Hole Connectors

Pipe Diameter mm	PVC Pipe		Concrete Pipe	
	Price (\$/pc)	Kor-N-Seal No.	Price (\$/pc)	Kor-N-Seal No.
100	\$288.00	S106-7T		
125	288.00	S106-8T		
150	288.00	S406-12C	\$288.00	S106-12A
200	288.00	S406-12A	288.00	S406-12
250	376.20	S106-14A	376.20	S106-16A
300	376.20	S106-16A	491.70	S106-20
375	491.70	S106-20B	591.10	S206-24
450	591.10	S206-24A	747.80	S206-26L
525	747.80	S206-26	882.90	S206-32
600	836.60	S206-28	1046.70	S206-34L

Catch Basins / Ditch Inlets

Size (mm)	Description	Height (m)	Approx. mass (kg)	Price (\$)
600 x 600	Catch Basin - 115mm wall	0.762 - 1.981	940 / m	\$685.00 / m
600 x 600	Catch Basin - 150mm wall	0.914 - 1.981	1,220 / m	925.90 / m
600 x 600	Ditch Inlet Catch Basin - 150 mm wall	0.914 - 1.981	1,220 / m	1,023.30 / m
600 x 1200	Ditch Inlet Catch Basin - 150 mm wall	0.457 - 1.219	1,785 / m	1,588.50 / m
600 x 840	Curb Inlet Catch Basin - 115 mm wall	1.067 - 1.981	1,060 / m	1,083.70 / m
600 x 1450	Twin Inlet Catch Basin - 115 mm wall	0.914 - 1.829	1,640 / m	1,329.30 / m

NOTES:

- 1) **Catch Basin Risers** are available at the price per metre of applicable Catch Basin item.
- 2) All Catch Basin and Ditch Inlet units have **2 Anchors** and require **4 Tonne Swift Lift**.
- 3) Price of Ditch Inlet includes 1 pair of **Ditch Inlet Fasteners** installed.
- 4) Clarrington sub drain adaptor \$31.90 each.
- 5) Any additional modifications made to CB's please contact our engineering department for pricing.

Grade Adjustment Units

Description	Thickness (mm)	Approx. mass (kg)	Price (\$)
Maintenance Hole Adjuster	50	52	\$63.30 / pc
Maintenance Hole Adjuster	75	75	67.20 / pc
Maintenance Hole Adjuster c/w Step	75	75	98.90 / pc
Maintenance Hole Adjuster	150	215	232.90 / pc
Maintenance Hole Grade Ring c/w Step	305	430	298.30 / pc
Catch Basin Adjuster	50	36	60.00 / pc
Catch Basin Adjuster	75	51	63.70 / pc
Catch Basin Adjuster	150	141	154.20 / pc
Modutape (40 Rolls per Case)			22.60 / roll

Miscellaneous Accessories

Description	Type	Price (\$)
Maintenance Hole Frames and Covers		\$913.90 / pc
Catch Basin Frames and Grates	Flat, Dished or V-type	946.00 / pc
Ditch Inlet Grates	Type A	815.20 / pc
	Type B	1,199.80 / pc
	Type C	1,317.30 / pc
Swift Lift Lifting Eyes	4 Tonne	566.10 / pc
	8 Tonne	1,065.60 / pc
Shims	70 Pieces per Bag	155.90 / bag
Maintenance Hole Safety Steps	Hollow Aluminum	37.10 / pc
Maintenance Hole Safety Steps	Solid Aluminum	53.50 / pc
Engineering Surcharge		924.80 / ea
Non-standard Openings		924.80 / ea
Hatch Installation		924.80 / ea
Goss Trap c/w Plug		956.50 / pc

Rectangular Maintenance Holes and Utility Chambers

1200 x 1200mm 229mm Wall, No Haunches	Height (m)	No. of Anchors	Swift Lift	Approx. Mass (kg)	Price (\$)
Flat Cap	0.305	4	4 Ton	2,127 / pc	\$1,836.40 / pc
Riser Section	0.610 - 2.438	4	4 Ton	3,289 / m	3,100.60 / m
Transition Slab	0.305	4	4 Ton	1,272 / pc	1,836.40 / pc
Base Slab	0.305	4	4 Ton	2,127 / pc	1,836.40 / pc
*Monobase/Monotop	0.914	4	4 Ton	4,600 / pc	4,569.00 / pc
	1.219	4	4 Ton	5,610 / pc	5,514.70 / pc
	1.524	4	4 Ton	6,610 / pc	6,460.40 / pc
	1.829	4	4 Ton	7,610 / pc	7,406.10 / pc

1800 x 1500mm 229mm Wall, No Haunches	Height (m)	No. of Anchors	Swift Lift	Approx. Mass (kg)	Price (\$)
Flat Cap	0.305	4	4 Ton	3,429 / pc	\$2,790.50 / pc
Riser Section	0.610 - 2.438	4	4 Ton	4,329 / m	3,840.10 / m
Transition Slab	0.305	4	4 Ton	2,573 / pc	2,790.50 / pc
Base Slab	0.305	4	4 Ton	3,429 / pc	2,790.50 / pc
*Monobase/Monotop	0.914	4	4 Ton	6,810 / pc	6,160.00 / pc
	1.219	4	4 Ton	8,130 / pc	7,331.20 / pc
	1.524	4	4 Ton	9,450 / pc	8,502.40 / pc
	1.829	4	4 Ton	10,770 / pc	9,673.80 / pc

1800 x 1800mm 229mm Wall, No Haunches	Height (m)	No. of Anchors	Swift Lift	Approx. Mass (kg)	Price (\$)
Flat Cap	0.305	4	4 Ton	3,956 / pc	\$3,464.30 / pc
Riser Section	0.610 - 2.438	4	4 Ton	4,675 / m	5,119.20 / m
Transition Slab	0.305	4	4 Ton	3,101 / pc	3,464.30 / pc
Base Slab	0.305	4	4 Ton	3,956 / pc	3,464.30 / pc
*Monobase/Monotop	0.914	4	4 Ton	7,570 / pc	8,015.30 / pc
	1.219	4	4 Ton	8,990 / pc	9,576.60 / pc
	1.524	4	4 Ton	10,420 / pc	11,138.00 / pc
	1.829	4	4 Ton	11,850 / pc	12,699.30 / pc

NOTES:

- 1) Monobase height is measured from top of base to bottom of joint.
- 2) Butyl tape, hydrophilic gasket and waterproofing membranes are extra where required.
- 3) Rectangular MHs are based on 7.0m depth measured from finished grade to underside of base.
- 4) Above prices are based on typical MH configurations. Other MH dimensions are available upon request.
- 5) Contact our engineering department for information on special designs.

Rectangular Maintenance Holes and Utility Chambers

2400 x 1800mm 229mm Wall, No Haunches	Height (m)	No. of Anchors	Swift Lift	Approx. Mass (kg)	Price (\$)
Flat Cap	0.305	4	4 Ton	5,010 / pc	\$3,897.40 / pc
Riser Section	0.610 - 2.438	4	4 Ton	5,367 / m	4,425.90 / m
Transition Slab	0.305	4	4 Ton	5,010 / pc	3,897.40 / pc
Base Slab	0.305	4	4 Ton	4,154 / pc	3,897.40 / pc
*Monobase/Monotop	0.914	4	8 Ton	9,080 / pc	7,760.80 / pc
	1.219	4	8 Ton	10,710 / pc	9,110.70 / pc
	1.524	4	8 Ton	12,350 / pc	10,460.70 / pc
	1.829	4	8 Ton	13,990 / pc	11,810.60 / pc

2400 x 2400mm 229mm Wall, No Haunches	Height (m)	No. of Anchors	Swift Lift	Approx. Mass (kg)	Price (\$)
Flat Cap	0.305	4	8 Ton	6,344 / pc	\$5,677.20 / pc
Riser Section	0.610 - 2.438	4	8 Ton	6,059 / m	7,306.80 / m
Transition Slab	0.305	4	8 Ton	6,344 / pc	5,677.20 / pc
Base Slab	0.305	4	8 Ton	5,488 / pc	5,677.20 / pc
*Monobase/Monotop	0.914	4	8 Ton	10,820 / pc	11,864.90 / pc
	1.219	4	8 Ton	12,670 / pc	14,093.40 / pc
	1.524	4	8 Ton	14,520 / pc	16,322.00 / pc
	1.829	4	8 Ton	16,360 / pc	18,550.50 / pc

NOTES:

- 1) Monobase height is measured from top of base to bottom of joint.
- 2) Butyl tape, hydrophilic gasket and waterproofing membranes are extra where required.
- 3) Rectangular MHs are based on 7.0m depth measured from finished grade to underside of base.
- 4) Above prices are based on typical MH configurations. Other MH dimensions are available upon request.
- 5) Contact our engineering department for information on special designs.

Rectangular Maintenance Holes and Utility Chambers

3000 x 1800mm 229mm Wall, No Haunches	Height (m)	No. of Anchors	Swift Lift	Approx. Mass (kg)	Price (\$)
Flat Cap	0.305	4	8 Ton	6,065 / pc	\$5,298.90 / pc
Riser Section	0.610 - 2.438	4	8 Ton	6,060 / m	7,094.10 / m
Transition Slab	0.305	4	8 Ton	6,065 / pc	5,298.90 / pc
Base Slab	0.305	4	8 Ton	5,210 / pc	5,298.90 / pc
*Monobase/Monotop	0.914	4	8 Ton	11,600 / pc	11,605.40 / pc
	1.219	4	8 Ton	13,450 / pc	13,769.20 / pc
	1.524	4	8 Ton	15,300 / pc	15,932.70 / pc
	1.829	4	8 Ton	17,150 / pc	18,096.50 / pc

3000 x 2400mm 229mm Wall, No Haunches	Height (m)	No. of Anchors	Swift Lift	Approx. Mass (kg)	Price (\$)
Flat Cap	0.305	4	8 Ton	7,680 / pc	\$6,875.40 / pc
Riser Section	0.610 - 2.438	4	8 Ton	6,751 / m	7,109.70 / m
Transition Slab	0.305	4	8 Ton	7,680 / pc	6,875.40 / pc
Base Slab	0.305	4	8 Ton	6,825 / pc	6,875.40 / pc
*Monobase/Monotop	0.914	4	8 Ton	13,850 / pc	12,857.10 / pc
	1.219	4	8 Ton	15,910 / pc	15,025.60 / pc
	1.524	4	8 Ton	17,970 / pc	17,194.00 / pc
	1.829	4	8 Ton	20,030 / pc	19,362.50 / pc

3000 x 3000mm 229mm Wall, No Haunches	Height (m)	No. of Anchors	Swift Lift	Approx. Mass (kg)	Price (\$)
Flat Cap	0.305	4	8 Ton	9,298 / pc	\$9,364.70 / pc
Riser Section	0.610 - 2.438	4	8 Ton	7,444 / m	11,027.10 / m
Transition Slab	0.305	4	8 Ton	9,298 / pc	9,364.70 / pc
Base Slab	0.305	4	8 Ton	8,442 / pc	9,364.70 / pc
*Monobase/Monotop	0.914	4	8 Ton	16,100 / pc	18,680.00 / pc
	1.219	4	8 Ton	18,370 / pc	22,043.30 / pc
	1.524	4	8 Ton	20,640 / pc	25,406.40 / pc
	1.829	4	8 Ton	22,910 / pc	28,769.70 / pc

NOTES:

- 1) Monobase height is measured from top of base to bottom of joint.
- 2) Butyl tape, hydrophilic gasket and waterproofing membranes are extra where required.
- 3) Rectangular MHs are based on 7.0m depth measured from finished grade to underside of base.
- 4) Above prices are based on typical MH configurations. Other MH dimensions are available upon request.
- 5) Contact our engineering department for information on special designs.

Rectangular Maintenance Holes and Utility Chambers

3800 x 2400mm 229mm Wall, No Haunches	Height (m)	No. of Anchors	Swift Lift	Approx. Mass (kg)	Price (\$)
Flat Cap	0.305	4	8 Ton	9,349 / pc	\$9,608.10 / pc
Riser Section	0.610 - 2.438	4	8 Ton	7,617 / m	11,502.50 / m
Transition Slab	0.305	4	8 Ton	9,349 / pc	9,608.10 / pc
Base Slab	0.305	4	8 Ton	8,494 / pc	9,608.10 / pc
*Monobase/Monotop	0.914		as required	16,310 / pc	19,329.80 / pc
	1.219		as required	18,630 / pc	22,838.10 / pc
	1.524		as required	20,960 / pc	26,346.20 / pc
	1.829		as required	23,280 / pc	29,854.50 / pc

3800 x 3000mm 229mm Wall, No Haunches	Height (m)	No. of Anchors	Swift Lift	Approx. Mass (kg)	Price (\$)
Flat Cap	0.305	4	8 Ton	11,318 / pc	\$12,169.50 / pc
Riser Section	0.610 - 2.438	4	8 Ton	8,310 / m	14,821.50 / m
Transition Slab	0.305	4	8 Ton	11,318 / pc	12,169.50 / pc
Base Slab	0.305	4	8 Ton	10,463 / pc	12,169.50 / pc
*Monobase/Monotop	0.914		as required	18,910 / pc	24,702.30 / pc
	1.219		as required	21,450 / pc	29,223.00 / pc
	1.524		as required	23,980 / pc	33,743.60 / pc
	1.829		as required	26,520 / pc	38,264.20 / pc

3800 x 3800mm 229mm Wall, No Haunches	Height (m)	No. of Anchors	Swift Lift	Approx. Mass (kg)	Price (\$)
Flat Cap	0.305	4	8 Ton	13,778 / pc	\$15,539.20 / pc
Riser Section	0.610 - 2.438	4	8 Ton	9,175 / m	19,119.70 / m
Transition Slab	0.305	4	8 Ton	13,778 / pc	15,539.20 / pc
Base Slab	0.305	4	8 Ton	12,923 / pc	15,539.20 / pc
*Monobase/Monotop	0.914		as required	22,160 / pc	31,710.70 / pc
	1.219		as required	24,960 / pc	37,542.20 / pc
	1.524		as required	27,760 / pc	43,373.80 / pc
	1.829		as required	30,560 / pc	49,205.30 / pc

NOTES:

- 1) Monobase height is measured from top of base to bottom of joint.
- 2) Butyl tape, hydrophilic gasket and waterproofing membranes are extra where required.
- 3) Rectangular MHs are based on 7.0m depth measured from finished grade to underside of base.
- 4) Above prices are based on typical MH configurations. Other MH dimensions are available upon request.
- 5) Contact our engineering department for information on special designs.

Rectangular Maintenance Holes and Utility Chambers

4200 x 2400mm 229mm Wall, No Haunches	Height (m)	No. of Anchors	Swift Lift	Approx. Mass (kg)	Price (\$)
Flat Cap	0.305	4	8 Ton	10,350 / pc	\$10,981.50 / pc
Riser Section	0.610 - 2.438	4	8 Ton	8,136 / m	13,720.70 / m
Transition Slab	0.305	4	8 Ton	10,350 / pc	10,981.50 / pc
Base Slab	0.305	4	8 Ton	9,495 / pc	10,981.50 / pc
*Monobase/Monotop	0.914		as required	17,790 / pc	22,592.00 / pc
	1.219		as required	20,270 / pc	26,776.90 / pc
	1.524		as required	22,750 / pc	30,961.60 / pc
	1.829		as required	25,230 / pc	35,146.40 / pc

4200 x 3000mm 229mm Wall, No Haunches	Height (m)	No. of Anchors	Swift Lift	Approx. Mass (kg)	Price (\$)
Flat Cap	0.305	4	8 Ton	12,530 / pc	\$14,410.90 / pc
Riser Section	0.610 - 2.438	4	8 Ton	8,829 / m	17,144.30 / m
Transition Slab	0.305	4	8 Ton	12,530 / pc	14,410.90 / pc
Base Slab	0.305	4	8 Ton	11,675 / pc	14,410.90 / pc
*Monobase/Monotop	0.914		as required	20,600 / pc	28,232.10 / pc
	1.219		as required	23,290 / pc	33,461.00 / pc
	1.524		as required	25,990 / pc	38,690.10 / pc
	1.829		as required	28,680 / pc	43,919.10 / pc

NOTES:

- 1) Monobase height is measured from top of base to bottom of joint.
- 2) Butyl tape, hydrophilic gasket and waterproofing membranes are extra where required.
- 3) Rectangular MHs are based on 7.0m depth measured from finished grade to underside of base.
- 4) Above prices are based on typical MH configurations. Other MH dimensions are available upon request.
- 5) Contact our engineering department for information on special designs.

Rectangular Maintenance Holes and Utility Chambers

4200 x 3800mm 229mm Wall, No Haunches	Height (m)	No. of Anchors	Swift Lift	Approx. Mass (kg)	Price (\$)
Flat Cap	0.305	4	8 Ton	15,254 / pc	\$17,248.90 / pc
Riser Section	0.610 - 2.438	4	8 Ton	9,694 / m	21,227.60 / m
Transition Slab	0.305	4	8 Ton	15,254 / pc	17,248.90 / pc
Base Slab	0.305	4	8 Ton	14,398 / pc	17,248.90 / pc
*Monobase/Monotop	0.914		as required	24,110 / pc	35,204.80 / pc
	1.219		as required	27,070 / pc	41,679.30 / pc
	1.524		as required	30,030 / pc	48,153.60 / pc
	1.829		as required	32,980 / pc	54,628.10 / pc

4200 x 4200mm 229mm Wall, No Haunches	Height (m)	No. of Anchors	Swift Lift	Approx. Mass (kg)	Price (\$)
Flat Cap	0.305	4	8 Ton	16,887 / pc	\$19,064.50 / pc
Riser Section	0.610 - 2.438	4	8 Ton	10,213 / m	25,282.10 / m
Transition Slab	0.305	4	8 Ton	16,887 / pc	19,064.50 / pc
Base Slab	0.305	4	8 Ton	16,032 / pc	19,064.50 / pc
*Monobase/Monotop	0.914		as required	26,220 / pc	41,135.00 / pc
	1.219		as required	29,340 / pc	48,846.00 / pc
	1.524		as required	32,450 / pc	56,557.10 / pc
	1.829		as required	35,570 / pc	64,268.10 / pc

NOTES:

- 1) Monobase height is measured from top of base to bottom of joint.
- 2) Butyl tape, hydrophilic gasket and waterproofing membranes are extra where required.
- 3) Rectangular MHs are based on 7.0m depth measured from finished grade to underside of base.
- 4) Above prices are based on typical MH configurations. Other MH dimensions are available upon request.
- 5) Contact our engineering department for information on special designs.

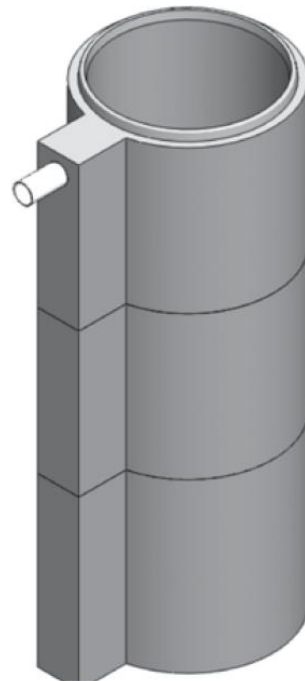
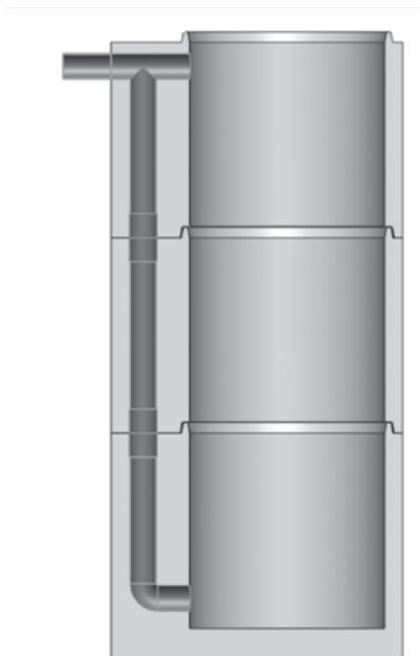
Drop Structures

Precast Drop Structures are available for drop pipe sizes up to and including 300mm diameter.

All Drop Structures are supplied with a 90 degree Bend at the bottom.

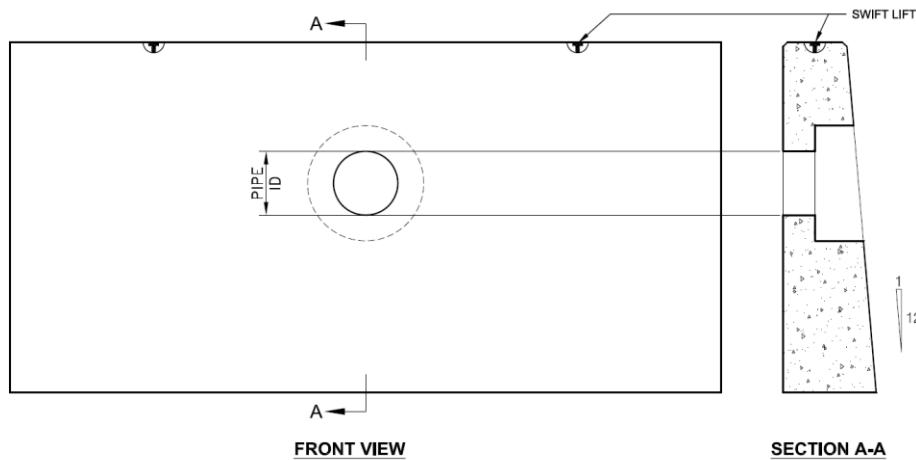
At the top, we provide a Tee (up to 300 x 300mm) or a Wye (up to 250 x 250mm).

For pricing, please contact our engineering department.



OPSD 804.030 ALTERNATIVE HEADWALL for 300mm - 900mm Pipes

Pipe Size (mm)	Width x Height (mm)	No. of Anchors	Swift Lift	Approx. Mass (kg/pc)	Endwall Only Price (\$/pc)	Grate Only Price (\$/pc)
300	3366 x 1672	2	8 Tonne	5,090	\$4,370.80	\$1,074.30
375	3366 x 1672	2	8 Tonne	5,043	4,370.80	1,074.30
450	3366 x 1672	2	8 Tonne	4,964	5,312.30	1,182.20
525	4168 x 1939	2	8 Tonne	7,342	5,312.30	1,182.20
600	4168 x 1939	2	8 Tonne	7,277	6,784.00	1,269.60
675	4168 x 1939	2	8 Tonne	7,174	6,784.00	1,269.60
750	4968 x 2206	2	8 Tonne	10,124	8,285.30	1,504.70
825	4968 x 2206	2	8 Tonne	9,985	8,285.30	1,504.70
900	4968 x 2206	2	8 Tonne	9,834	9,800.70	1,535.60

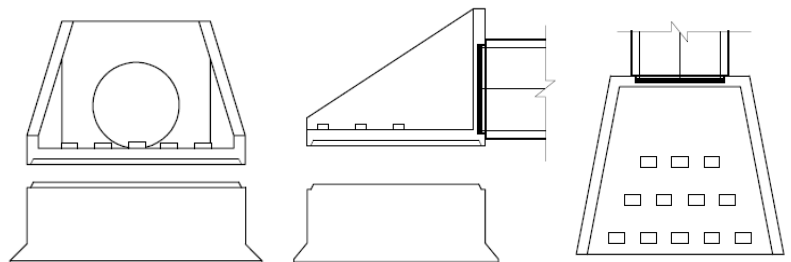


Quick Headwalls

QHW Size	Circular Pipe Size (mm)	Elliptical Pipe Size (mm)	QHW Top Piece		QHW Bottom Piece	
			Swiftlift	Weight (kg)	Swift Lift	Weight (kg)
Small	600 to 825	N/A	4- 4 tonne	8296	4- 4 tonne	9414
Medium	900 to 1200	730X1150	4- 8 tonne	10163	4- 8 tonne	9914
Large	1350 to 1800	855X1345	4- 8 tonne	13860	4- 8 tonne	11077
		975X1535				
		1095X1730				
		1220X1920				

NOTES:

- Grates as per OPSD 804.05.
- Headwalls equivalent to OPSD 804.040 Modified are available for pipe sizes up to **1800mm Diameter or 1220x1930mm Elliptical Pipe**.
For pricing, contact our engineering department.
- Random Stone Pattern Finish** can be supplied, if specified or requested.
- Quick Installation comes complete with a gasketed joint for pipe connection.
- 2-Piece System.
- Hand Rail & Headwall Grates are available for pipe sizes up to 1800mm Diameter.
- Designed to CHBDC requirements.



Stormwater Quality & Management Solutions

Stormceptor® Product Line

Stormceptor® units are designed to capture and safely store non-point source pollution from stormwater run-off. They are also extremely effective in capturing spills.



EF/EFO Series
ISO 14034/Canadian ETV
verified performance



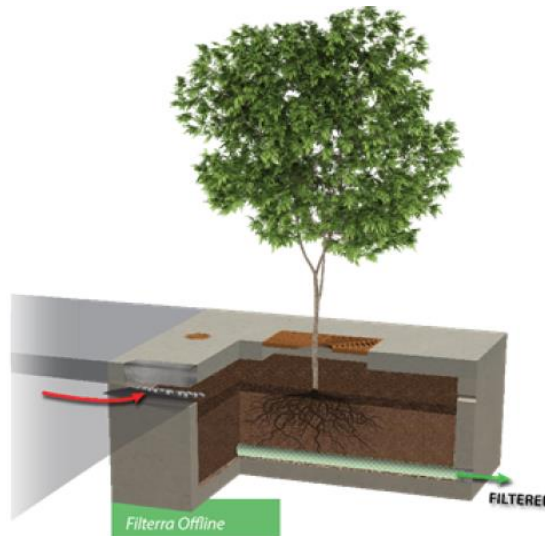
STC Series
Designed to attain a high
level of stormwater quality
and spill capture

Stormwater Filtration Product Line

Jellyfish® Filter and Filtterra Biofiltration systems provide exceptional standalone treatment for enhanced level stormwater quality. Both systems are verified in accordance with the ISO 14034 Environmental Technology Verification (ETV) protocol.



Jellyfish
Fine Sediment filter system



Filtterra Biofiltration
Filtterra provides a Low Impact
Development (LID) solution for
tight, highly developed sites

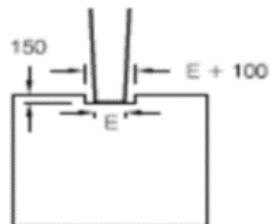
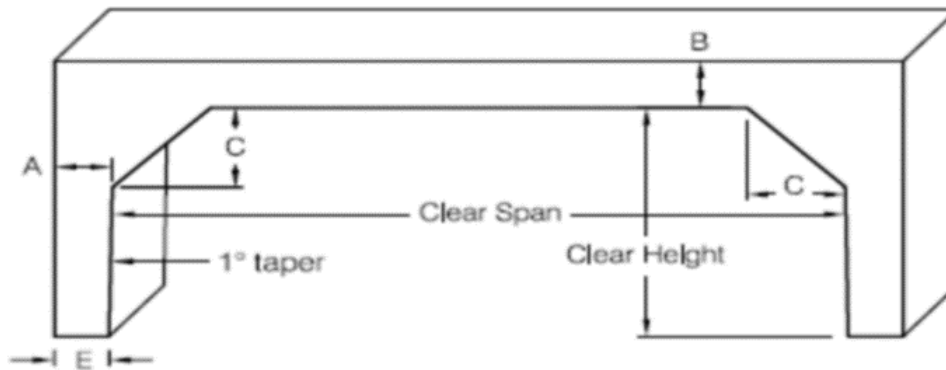
Please contact our Sales or Engineering Departments for pricing and/or technical information.

QuickSpan®

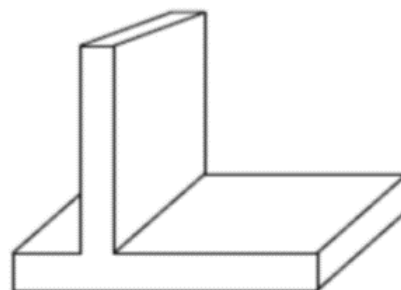
QuickSpan® Sizing Information	
Clear Span	3.659 - 12.192
Clear Height	0.610 - 3.048
Laying Length	1.00 - 2.440
Weight	4,643 - 22,000 kg/m
A - Leg Thickness	min 254
B - Deck Thickness	min 254
C - Haunch	432

Notes:

- 1) QuickSpan supercedes Hy-span
- 2) Precast footings & wingwalls are available. Please contact our Engineering Department for pricing or technical information.
- 3) Please contact our Engineering Department for further sizing information.



Footing Detail



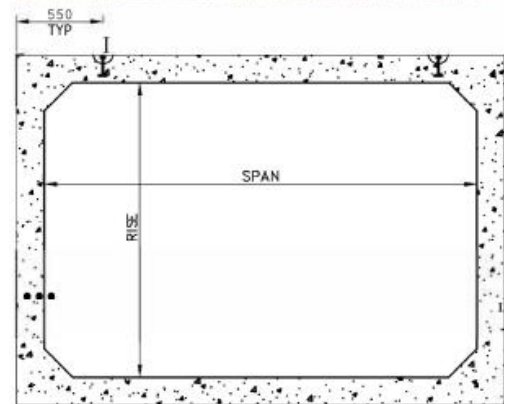
Wing Wall Detail

X-Stream

Buried precast concrete stormwater detention and retention structures have become critical elements of the 21st century stormwater management that accommodates low impact development (LID) and contribute to sustainable drainage systems in a time of climate change and extreme weather conditions.

Benefits of the X-Stream

- Precast detention/retention systems mitigate the overload of downstream storm water pipelines
- X-Stream can accommodate access opening for inspection & maintenance
- Designed & manufactured in accordance to OPSS 1821 for CHBDC truck loading
- X-Stream can be used in combination with storm water quality products, such as Stormceptor® & Jellyfish Filtration Systems
- Boxes are joined at several locations to avoid surcharging & equalize the water level throughout the entire structure
- An X-Stream estimator program for optimizing price with volume is available
- Standard sizes of drycast concrete boxes for high quality & short delivery lead-time
- Multiple box units can be delivered to site for assembly in a single day meeting accelerated precast construction timelines
- Combinations of vertical and/or horizontal assembly determined by space & storage volume
- Multiple uses of space above the buried structure for ICI development or additional residential lots



LAND REUSE



EASY TO INSTALL



ENGINEERED FOR LOADING



RETENTION/ DETENTION

X-Stream Dimensions								
Designated Size	Wall	Haunch	Waterway	Approximate		Standard		
Span X Rise	Thickness		Area	Mass		Truckloads		
(mm)	(mm)	(mm)	(m ²)	(kg/m)	(kg/pc)	(m)	(pc)	
1800 x 900	200	200	1.54	3329	8323	7.5	4	
1800 x 1200	200	200	2.08	3631	9078	7.5	4	
2400 x 1200	200	200	2.80	4237	10593	5.0	3	
2400 x 1500	200	200	3.52	4530	11325	5.0	3	
2438 x 1829	203	203	4.38	4924	12310	5.0	3	
3000 x 1500	250	250	4.38	6662	16655	2.5	2	
3000 x 1800	250	250	5.28	6997	17493	2.5	2	
3000 x 2100	250	250	6.18	7376	18440	2.5	2	
3048 x 2438	254	254	7.30	7893	19733	2.5	1	

Please contact our Sales or Engineering Departments for pricing and/or technical information.

Ottawa Specific Products

Maintenance Hole Adjusters

Size (mm)	Description	Height (mm)	Approx. Mass (kg/pc)	Price (\$/pc)
710 x 159	Maintenance Hole Adjuster	50	48	\$63.30
710 x 159	Maintenance Hole Adjuster	75	72	67.20
710 x 159	Maintenance Hole Adjuster	100	95	72.00
710 x 159	Maintenance Hole Adjuster	150	142	78.60
710 x 159	Maintenance Hole Adjuster c/w Step	300	284	298.30

Valve Chamber Components

	Valve Chamber Base Section (2 pcs)	200	580	\$534.50
	Valve Chamber Base Section (2 pcs)	400	1160	1068.70
1500	Valve Chamber Gate Valve Flat Cap	450	1796	1,629.50
1500	Valve Chamber Gate Butterfly Flat Cap	450	1796	1,629.50
760	Valve Chamber Adjuster	50	33	63.30
760	Valve Chamber Adjuster	75	50	67.20
760	Valve Chamber Adjuster	100	67	72.00
760	Valve Chamber Adjuster	150	100	78.60
760	Valve Chamber Riser (Bell-Flat)	150	100	224.70
760	Valve Chamber Riser (Bell-Flat)	305	195	284.50
760	Valve Chamber Riser (Bell-Flat)	450	295	426.20
760	Valve Chamber Riser (Bell-Spigot)	150	100	139.80
760	Valve Chamber Riser (Bell-Spigot)	225	150	210.10
760	Valve Chamber Riser (Bell-Spigot)	300	195	279.90
760	Valve Chamber Riser (Bell-Spigot)	450	295	419.70
760	Valve Chamber Riser (Bell-Spigot)	600	390	559.40

City of Ottawa rectangular valve chambers are available. Please call for pricing details.

Catch Basin Adjusters

330 x 480	Rear Yard Catch Basin Adjuster	50	16	\$59.20
330 x 480	Rear Yard Catch Basin Adjuster	75	24	60.60
330 x 480	Rear Yard Catch Basin Adjuster	150	48	76.00
610 x 610	Heavy Duty Catch Basin Adjuster	50	35	60.00
610 x 610	Heavy Duty Catch Basin Adjuster	75	53	63.70
610 x 610	Heavy Duty Catch Basin Adjuster	100	70	70.60
610 x 610	Heavy Duty Catch Basin Adjuster	150	105	78.60

Ottawa Specific Products

Frames and Covers

Spec. No.	Description	Price (\$/pc)
W15 / W16	City of Ottawa - Valve Chamber Frame and Cover	\$1,031.25
S19	City of Ottawa - Heavy Duty "Fish" Type Round Frame and Cover	918.75
S19 Solid	City of Ottawa - Heavy Duty "Fish" Type Round Frame and Cover SOLID	968.75
S20 / S21	City of Ottawa - Catch Basin Frame and Cover (Replacement)	500.00
S22 / S23	City of Ottawa - Curb Inlet "Fish" Type for Catch Basin	1,175.00
S24/ S25	City of Ottawa - Sanitary "Toilet" Maintenance Hole Frame and Cover	968.75
S24.1 / S25	City of Ottawa - Frame and Cover - Fish Logo	968.75
S28	City of Ottawa - Curb Inlet "Fish" Type for CBMH	1,180.00
S28.1	City of Ottawa - Catch Basin Maintenance Hole Frame and Cover	968.75
400.010	OPSD - Dished Herring Bone Openings Frame and Cover	918.75
400.020	OPSD - Flat Herring Bone Openings Frame and Cover	918.75
400.030	OPSD - "V" Herring Bone Openings Frame and Cover	1,112.50
400.070	OPSD - Circular Flat Herring Bone Openings Frame and Cover	918.75
400.100	OPSD - Flat Perforated Frame and Cover	918.75
401.010A	OPSD - Frame and Cover - Closed	743.75
401.010B	OPSD - Frame and Cover - Open	743.75
401.020	OPSD - Frame and Cover	1,112.50
401.030	OPSD - Water Tight Frame and Cover	1,075.00
402.010	OPSD - Valve Chamber Frame and Cover	993.75
	Self Levelling - Valve Chamber - Frame & Cover	1,725.00
	Self Levelling - Sanitary - Frame & Cover	1,625.00
	Self Levelling - Storm - Frame & Cover	1,625.00



For current facility locations and Sales & Service contacts,
please visit our website at forterrabp.com

Cambridge Plant

2099 Roseville Road
Cambridge, Ontario
N1R 5S3
519-622-7574
888-888-3222

Ottawa Plant

3374 Rideau Road
Ottawa, Ontario
K1G 3N4
613-822-0160
800-833-7540